

Function

Fail Open/Power to Lock

Construction

Stainless steel bolt (15mm diameter and throw) and strike plate provide secure locking. A stainless steel dress plate is provided to cover the brushed aluminium faceplate.

Electrical Features

Voltage	12vDC ± 15%
Activating current	1000mA
Holding current	250mA
Continuously rated solenoid	
Fully protected against transients & reserve polarity	

Monitoring

Door position switch
Bolt position indicator

Versatile Installation

Designed to provide concealed high security locking on any single or double action, hinged or sliding door in timber or metal for vertical or horizontal mounting.

Auto Relock Function

Can be set for 0,3,6 or 9 seconds

Accessories

Surface mounting kit in chromated steel

CE Approval**3 Year Guarantee**

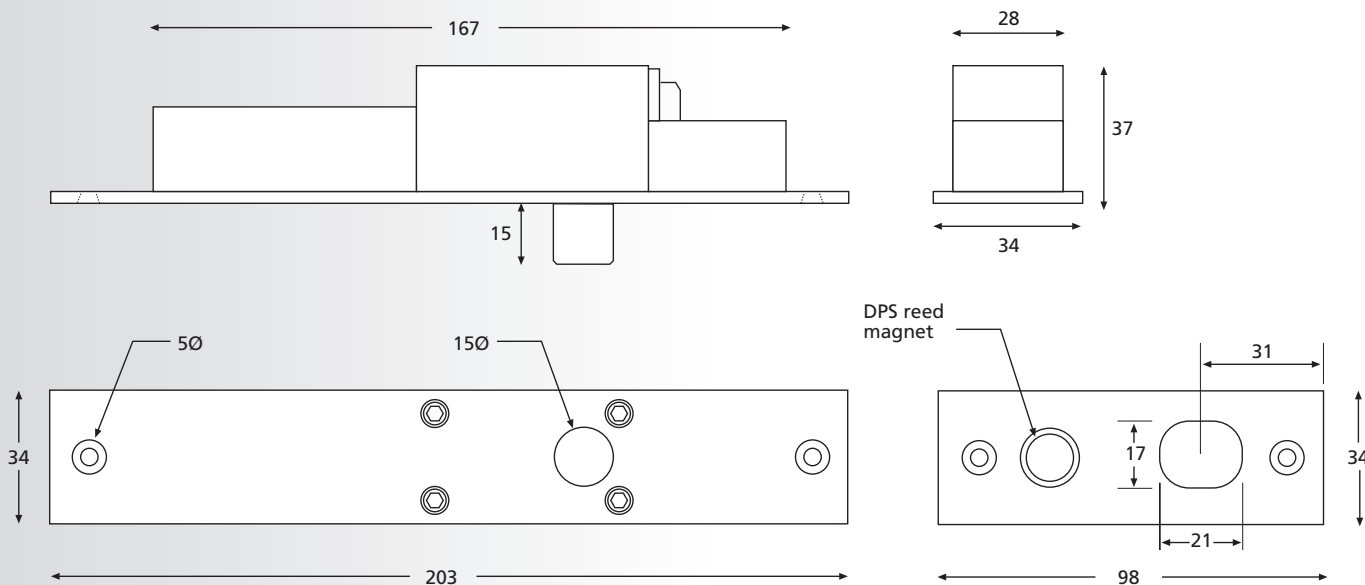
The ALPRO slim EB1001 Electric Bolt allows for remote access and exit control of most timber, metal and Upvc Doors. It is suitable for sliding or swing, single and double action operations. It can be fitted in the frame or in the door and comes with plug in LED Bolt indicator as standard.



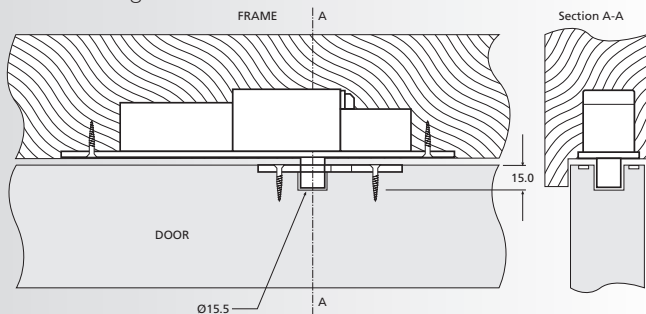
First Choice for Locking Solutions

T 01202 676262 **F** 01202 680101 **E** info@iecltd.co.uk **W** www.iecltd.co.uk

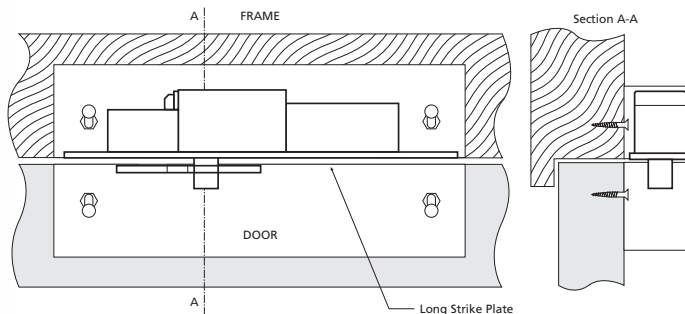
Dimensions are shown in millimetres



Normal fixing



Surface mount kit - chromated steel



Housing dimensions 228mm(L) x 38mm(W) x 42mm(D)

Ordering Information

DESCRIPTION	FUNCTION	CODE
Electric bolt 12vDC	Fail Open - Power to Lock	EB1001/34MM/R1
ACCESSORIES	FINISH	CODE
Surface mounting kit	Chromated steel	EB1001/SMHKIT 34MM
38mm face plate only		EB1001/FP38
38mm strike plate only		EB1001/SP38