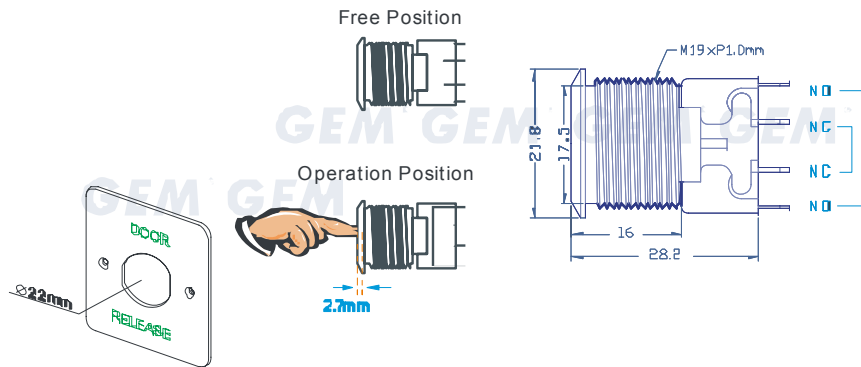




DRB002F-PTE



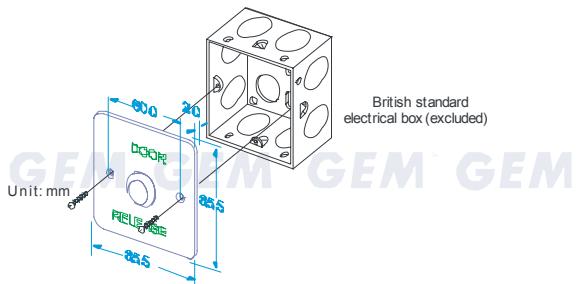
DRB002F-DR



### Switch Specifications

Type of actuation: Momentary  
 Contact arrangement: Double pole double throw  
 Operating travel: 2.7mm  
 Operating temp. Range: -20~+70°C  
 Contact resistance: 50m Ω Max.(initial)  
 Operating life(Mechanical) : Over 100,000 times

Materials(Button): Zinc alloy, Faceplate: Stainless steel



This series of request to exit can be mounted directly in British standard electrical box (Flush mount)

Surface mounting Installation: DRB-SH housing is optional for surface mount.