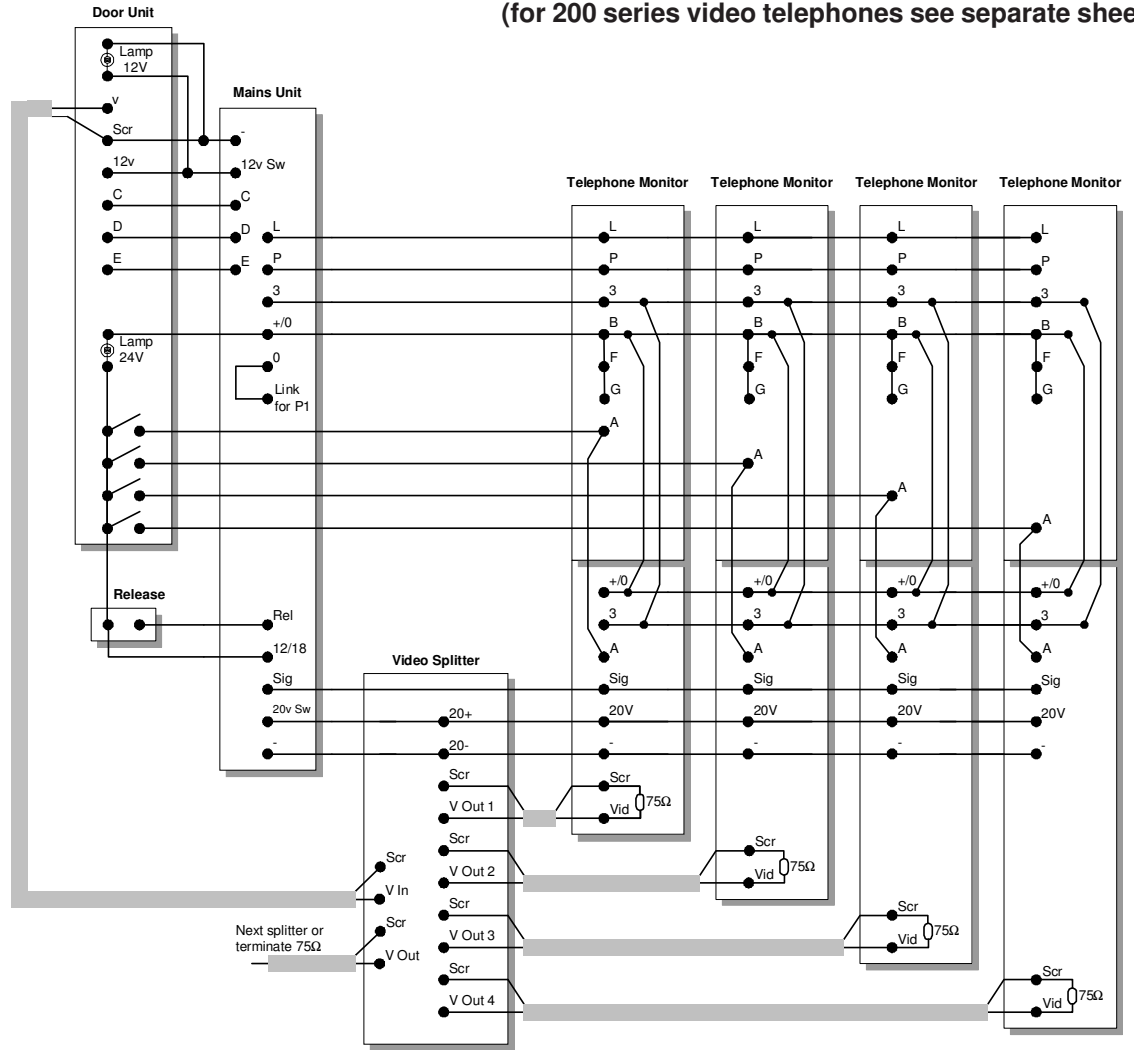


Plan 1 (Door)

V
I
D
E
O

Entryphone® Video Wiring Diagrams for 900 Series Video Telephones (for 200 series video telephones see separate sheet)



Operation

Plan 1 provides calling and audio visual communication and remote door opening for as many answer points as required. Audio circuits are activated any time by lifting a handset. Video circuits are activated either by turning on a monitor or by calling any video monitor from the door panel*.

Notes

- Mains unit current limitations:**
 - no more than 4 buzzers will ring simultaneously.
 - no more than two monitors will operate simultaneously.
- Adjustment of overall speech volume is achieved by varying the DC speech voltage.
- Lamps:**
24volt festoon lamp is for back lighting.
12 volt festoon lamp is for video subject lighting.
- 75 ohm termination resistors are required at all coaxial line ends. If there are two monitors on one splitter output then the termination resistor must be on the furthest monitor only.

*5. If terminal "A" is connected at the monitor it will turn on automatically when called.

The list below indicates the function of each terminal, this provides useful reference particularly for tracing faults or for a fuller understanding of how the system works.

Circuitry	At	Terminal	Description
A u d i o	D/U	C	DC COMMON FOR SPEECH AT DU
	D/U	D	SPEECH TO PHONE
	D/U	E	SPEECH FROM PHONE
	D/U	Lamp 24V	LAMP FOR BACK LIGHTING
	MU	0	AC OUTPUT
	MU	+/0	DC & AC COMMON OUTPUT
	MU	-	DC OUTPUT
	MU	8/12	AC OUTPUT
	R/U	C/-	DC COMMON FOR SPEECH AT DU
	R/U	CBP	COMMON BELL PUSH
	R/U	LR	LOCK RETURN
	REL	Rel	OUTPUT FOR RELEASE
	TEL	3	TOP MIDDLE BUTTON
TEL	8	BOTTOM MIDDLE BUTTON	
TEL	A	CALL LINE	
TEL	B	BUZZER COMMON	
TEL	F	COMMON FOR SPEECH	
TEL	G	COMMON FOR BUTTONS	
TEL	L	SPEECH FROM DOOR	
TEL	P	SPEECH TO DOOR	
V i d e o	D/U	12v	TIMED DC FOR CAMERA
	D/U	Lamp 12V	LAMP FOR VIDEO SUBJECT ILLUMINATION
	MONITOR	20V	TIMED DC + FOR MONITORS/SPLITTER
	PSU	12V Sw	TIMED DC FOR CAMERA
	PSU	20V Sw	TIMED DC + FOR MONITORS/SPLITTER
SPLITTER	20+	TIMED DC + FOR MONITORS/SPLITTER	
SPLITTER	20-	DC - FOR MONITORS/SPLITTER	
VIDEO	Scr	CO-AX SCREEN	
VIDEO	Sig	SIGNAL TO START CAMERA TIMER	
VIDEO	V	COAX CENTRE	
VIDEO	Vid	COAX CENTRE	

The Entryphone Co.Ltd.
23 Granville Road
London SW18 5SD
Tel: 020 8870 8635
Fax: 020 8874 0066

PROBLEM?
PLEASE DO NOT HESITATE TO CONTACT OUR
TECHNICAL DEPARTMENT
WE ARE HERE TO HELP!

Plan 2

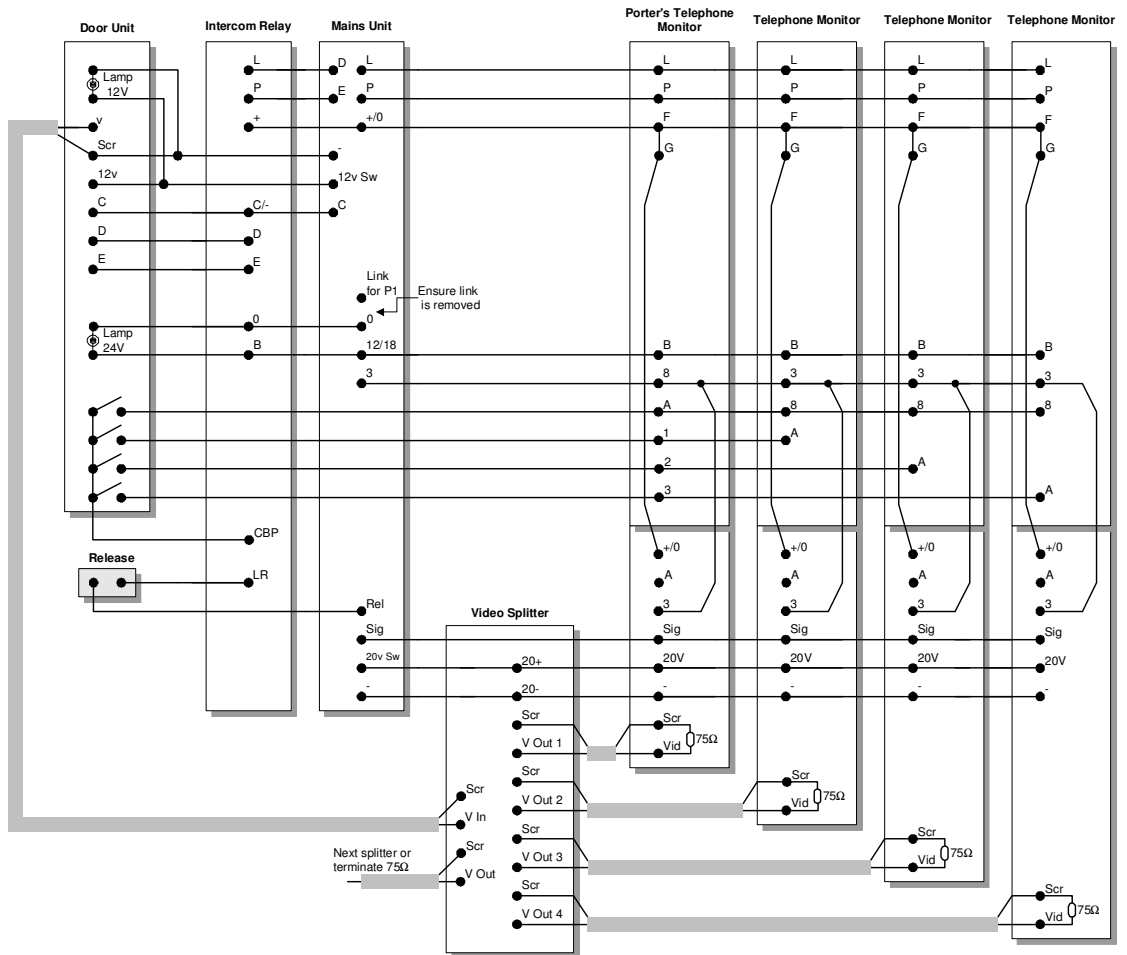
(Door & Porter)

Operation

As plan 1 but with the additional facility of internal intercom with a porter. The intercom relay detects when an internal call is made and turns off the speech to the door unit. A call at the door or when a handset is replaced switches the relay back to its default position with the door speech connected.

Additional Notes

1. Diagram shows porter's unit as a multi-button telephone. For larger systems a call panel is used as well.
2. Auto-on is not available and "A" in the monitor should not be connected.



Plan 3

(Door & Intercom)

Operation

As plan 1 but with the additional facility of full internal intercom between phones. The intercom relay detects when an internal call is made and turns off the speech to the door unit. A call at the door or when a handset is replaced switches the relay back to its default position with the door speech connected.

Additional Notes

1. Diagram shows system with single-button door unit; intercom calling between multi-button telephones and separate bell for door ringing.
2. Auto-on is not available and "A" in the monitor should not be connected.

