




### Features

- Ideal for closet and small cabinet like machine equipment housings and gun safes, etc.
- For double leaf doors
- Fail-Safe (Power to Lock.)
- Five years warranty.
- Adjustable mounting plate for easy installation.
- Dual voltage 12 or 24 VDC (selectable).
- Anti-Residual magnetism designed.
- Magnet can be selected direct or reversible direction installation.

### Operating Features

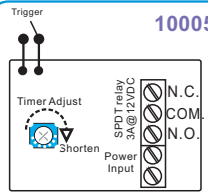
**10005:** Bond sensor output & Status LED



Bond sensor is used to indicate the door status as in a locked or unlocked condition. Status LED is a visual feedback for user to give the true status of the lock at any time. Green light indicates the door is insecure (unlocked) and the Red light indicates the door is secure (locked).

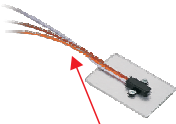
Bond sensor monitor output : SPDT rated: 3A@12VDC

**10005TD:** Re-locking time delay



Relocking Time Delay Switch ensures the automatically turns to lock mode after the door is closed properly and it can be adjusted from 0 to 90 seconds.

**10005DS:** Door status and bond sensor output & Status LED



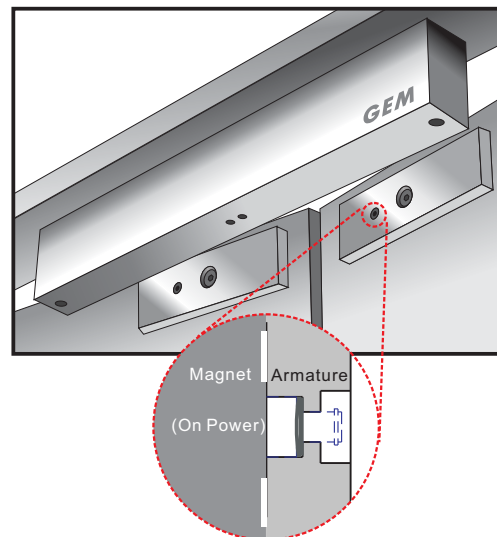
Door Status Sensor indicates the door is in an opened or closed status. Magnetic Bond Sensor indicates the door is in a locked or unlocked status.

Door status output : SPDT rated: 0.25A@12VDC

### Specifications

- Voltage Tolerance: ±15%
- Current Draw: 500mA X2 @12Vdc ; 250mA X2 @24Vdc (at temperature 20°C)
- Magnetic bond sensor monitor output (for 10005 model) (SPDT rated 3A@12V DC), indicates the door is in a locked or unlock status. (N.C. Output--Door opened; N.O. Output--Door closed).
- Operating Temperature: -10~55°C (14~131°F)
- Humidity: 0~95% non-condensing.
- Lock's surface Temperature (when the power is on): can not exceed ambient temperature by 20 C.
- Holding Force: Up to 600 lbs (272 Kg) X 2
- Dimensions:
  - Magnet:(L) 500, (W) 42, (D) 26 mm
  - Armature Plate:(L) 185, (W) 38, (D) 12 mm
  - Mounting Plate:(L) 500, (W) 25, (D) 5 mm
- Special Finishes for magnet and armature plate: Zinc
- Epoxy Potting Compound: E87252 (S), UL94V-0
- Weight (Approx.): 4.0 Kg

### Regular Installation



#### Unique Anti-Residual design

When the power is switched off, the holding force will be discontinuity and the bolt was installed in armature will pop out immediately. This design enables the door to be opened freely without any resistance.

### GIANNI INDUSTRIES, INC.

No.306-1, Hsin Shu Road, Hsin Chuang, Taipei, Taiwan 242  
 TEL: 886-2-2206 9929 FAX: 886-2-2204 6632  
 E-Mail: info@gianni.com.tw  
 Website: gianni.tw



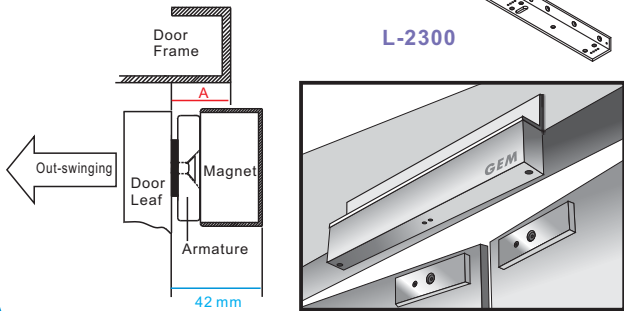
The products are manufactured under an ISO 9001 & QC 080000 Certified Quality Management Program environment back its product quality, performance and commitment to customer satisfaction.

### Optional Brackets

The door swinging direction and the door frame header are used to determine whether the bracket is required and this identify is a measure of which brackets is suitable. Our optional brackets include L-bracket, LZ-bracket and U-bracket.

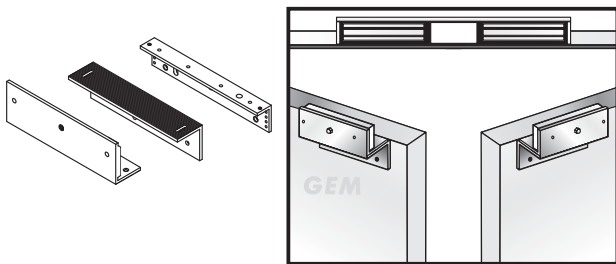
#### With L-bracket for narrow door frames

When "A" < 42 mm, must installed with "L" brackets.



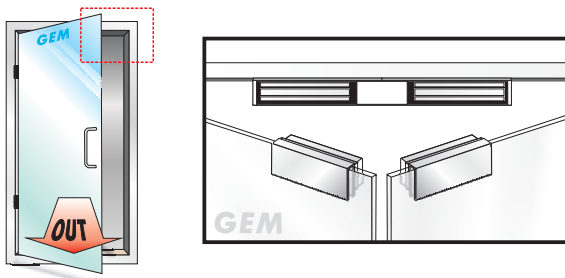
#### With LZ-bracket for in-swinging doors

**LZ-300N**

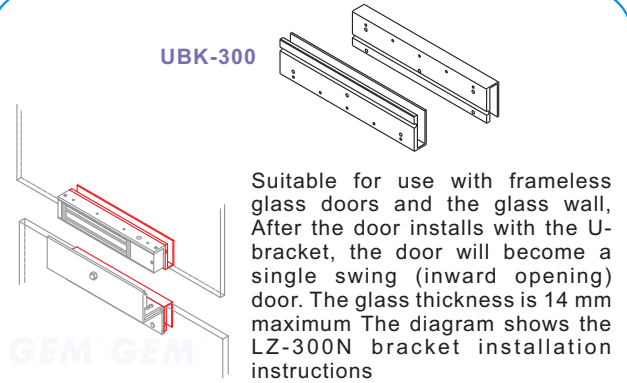


#### With U-bracket for frameless glass doors

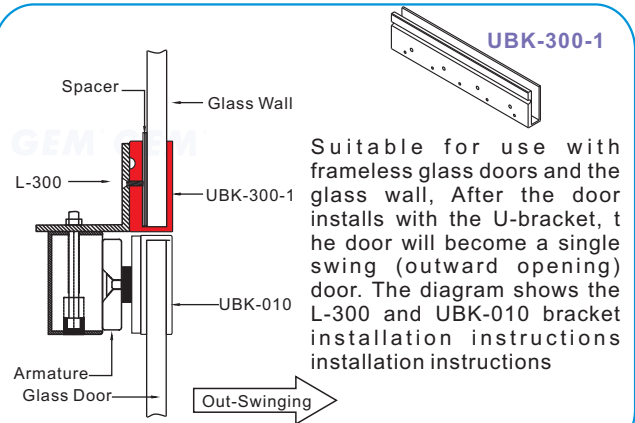
**UBK-010** For 10mm thickness of glass door  
**UBK-012** For 12mm thickness of glass door



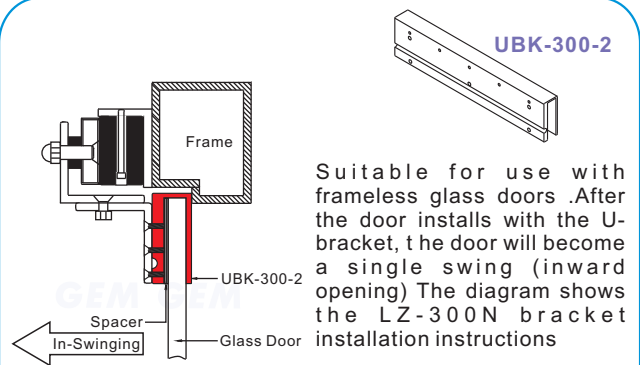
**UBK-300**



**UBK-300-1**



**UBK-300-2**



### Warranty

The product is warranted against defects in material and workmanship while used in normal service for a period of 5 year from the date of sale to the original customer. The GEM policy is one of continual development and improvement; therefore GEM reserves the right to change specifications without notice.

### GIANNI INDUSTRIES, INC.

No.306-1, Hsin Shu Road, Hsin Chuang, Taipei, Taiwan 242  
TEL: 886-2-2206 9929 FAX: 886-2-2204 6632  
E-Mail: info@gianni.com.tw  
Website: gianni.tw

Copyright © 2008 Gianni industries, inc. All rights reserved.  
DM-CA-10004 Ver. D Published on 2008.08.18



The products are manufactured under an ISO 9001 & QC 080000 Certified Quality Management Program environment back its product quality, performance and commitment to customer satisfaction.