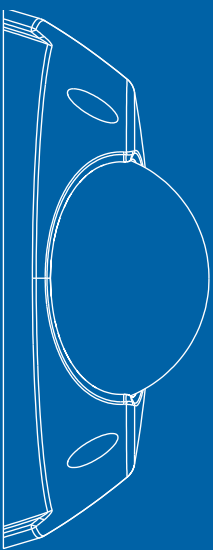


AXIS 209FD/209MFD Network Cameras

Flat, discreet cameras for indoor video surveillance



AXIS 209FD/209MFD are flat, discreet network cameras designed specifically for non-invasive video surveillance. These ultra-compact network cameras are ideal for areas such as hotel receptions, shops and corridors.



FLAT NON-INVASIVE DESIGN >

AXIS 209FD/209MFD with their flat, compact design offer flexible video surveillance solutions for environments where discreet monitoring is preferred.

MEGAPIXEL RESOLUTION >

Thanks to its 1.3 megapixel resolution, AXIS 209MFD delivers excellent image detail, perfect for the identification of individuals and objects of interest.

PROGRESSIVE SCAN >

Progressive scan technology provides full resolution images of moving objects, with no distortion.

POWER OVER ETHERNET >

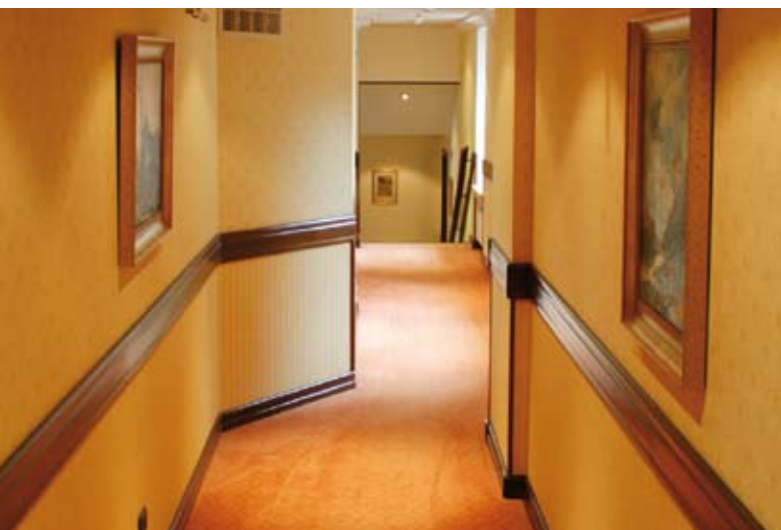
Power over Ethernet (IEEE 802.3af) supplies power to the cameras via the network, which eliminates the need for power outlets and reduces installation costs.

EASY INSTALLATION >

Quick, easy and flexible mounting on ceilings or walls.

DISCREET, NON-INVASIVE VIDEO SURVEILLANCE

AXIS 209FD/209MFD are fixed dome network cameras designed for discreet indoor video surveillance. The non-invasive design makes AXIS 209FD/209MFD the perfect choice for locations such as shops, hotel receptions and corridors.



EXCELLENT IMAGE DETAIL

AXIS 209MFD is a megapixel fixed dome network camera, featuring a 1.3 megapixel sensor that delivers excellent image detail, perfect for the identification of individuals and objects of interest.



The megapixel resolution allows important areas like entrances or checkouts to be monitored in greater detail.

SUPERIOR IMAGE QUALITY

AXIS 209FD/209MFD deliver crisp and clear images thanks to the high-quality progressive scan sensor and advanced image processing.

PROGRESSIVE SCAN

When using traditional, interlaced scanning techniques, image quality is degraded when a frame of recorded video is frozen. AXIS 209FD/209MFD instead use progressive scan, which drastically reduces motion blur and provides undistorted images at full resolution.



Interlaced scan, 20 ms difference between odd and even lines



AXIS 209FD/209MFD offer progressive scan, all lines are captured at the same time

SIMULTANEOUS MOTION JPEG AND MPEG-4

AXIS 209FD/209MFD offer simultaneous Motion JPEG and MPEG-4 video streams. The streams can be optimized for image quality and bandwidth efficiency by configuration of frame rate, resolution, compression level and format.

COMPACT AND DISCREET DESIGN

Measuring only 4 cm (1.6 inches) high, AXIS 209FD/209MFD are discreet and take up a minimum of space. All parts of the cameras have been optimized to create a flat design.



EASY INSTALLATION

AXIS 209FD/209MFD are quick and easy to install. Their design allows tilt of the lens and horizontal camera adjustment, offering flexible installation on ceilings or walls.



POWER OVER ETHERNET

Equipped with Power over Ethernet (PoE) support, AXIS 209FD/209MFD use the Ethernet cable for both power and video, making installation quick and easy by eliminating the need for power outlets at the camera locations.

SECURITY AND NETWORK MANAGEMENT

AXIS 209FD/209MFD offer a high degree of security, by using multiple levels of passwords, IP address filtering and HTTPS encryption.

IPv6 is supported in addition to IPv4, as insurance against the growing shortage of IP addresses, eliminating the need for network address translation and simplifying configuration in an IPv6-enabled network.

POWERFUL EVENT MANAGEMENT

With AXIS 209FD/209MFD, video can be accessed at any time, from any computer anywhere. AXIS 209FD/209MFD allow for powerful event management functionality such as video motion detection and pre/post-image alarm buffering.

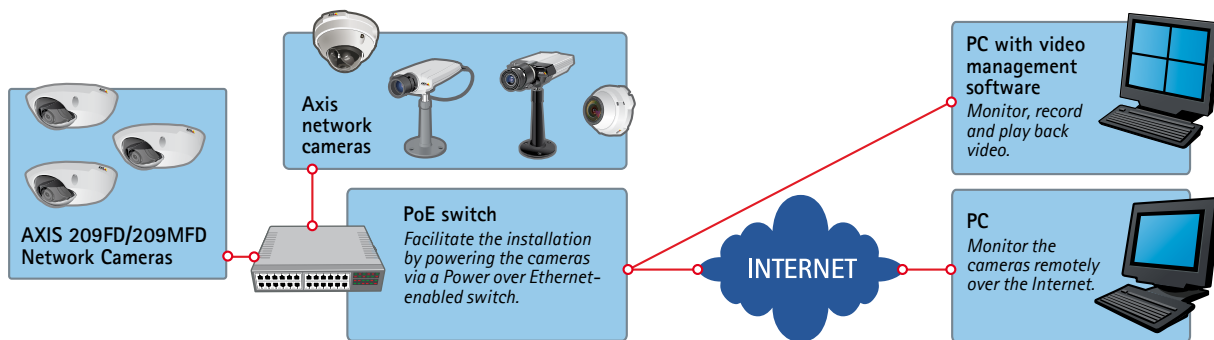
AXIS 209FD/209MFD are supported by AXIS Camera Station video management software, which offers remote video monitoring, recording and playback.

OPEN PROGRAMMING INTERFACE FOR CUSTOMIZED APPLICATIONS

AXIS 209FD/209MFD include the industry standard Axis Application Programming Interface (API), AXIS VAPIX™, which facilitates the development of customized software solutions. The API ensures compatibility with the market's widest range of third-party applications, available from Axis Application Development Partners.

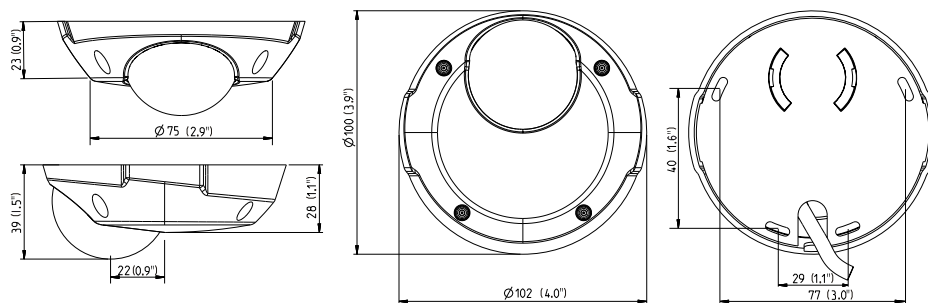


A TYPICAL INSTALLATION



DIMENSIONS

Measurements in millimeters (inches)



TECHNICAL SPECIFICATIONS - AXIS 209FD/209MFD NETWORK CAMERAS

Models	AXIS 209FD: VGA AXIS 209MFD: Megapixel	Connector	Female RJ-45 for Ethernet 10BaseT/100BaseTX
Image sensor	AXIS 209FD: 1/4" Micron Progressive Scan RGB VGA CMOS AXIS 209MFD: 1/3" Micron Progressive Scan RGB 1.3 Megapixel CMOS	Casing	Polycarbonate base and polycarbonate transparent cover Tamper-proof mounting
Lens	AXIS 209FD: 3.0 mm, F2.0, fixed iris Focus range: 0.5 m to infinity AXIS 209MFD: 3.6 mm, F1.8, fixed iris Focus range: 0.5 m to infinity	Processors and memory	CPU, video processing and compression: ARTPEC-A AXIS 209FD: RAM: 32 MB, Flash: 8 MB AXIS 209MFD: RAM: 64 MB, Flash: 8 MB
Angle of view	AXIS 209FD: 66° horizontal AXIS 209MFD: 74° horizontal	Power	Power over Ethernet IEEE 802.3af, Class 1
Camera angle adjustment	Tilt 0 - 90° Pan ±10° Rotation ±10°	Operating conditions	0 - 50 °C (32-122 °F) Humidity 20 - 80% RH (non-condensing)
Minimum illumination	AXIS 209FD: 1.5 - 10000 lux, F2.0 AXIS 209MFD: 3 - 10000 lux, F1.8	Installation, management and maintenance	AXIS Camera Management tool on CD, and web-based configuration Configuration of backup and restore Firmware upgrades over HTTP or FTP, firmware available at www.axis.com
Video compression	Motion JPEG MPEG-4 Part 2 (ISO/IEC 14496-2) with motion estimation Profiles: SP and ASP	Video access from web browser	Camera live view Video recording to file (ASF)
Resolutions	AXIS 209FD: 9 resolutions from 640x480 to 160x120 via API, 6 selections via configuration web page AXIS 209MFD: 24 resolutions from 1280x1024 to 160x90 via API, 19 selections via configuration page	Minimum web browsing requirements	Pentium III CPU 500 MHz or higher, or equivalent AMD 128 MB RAM AGP graphics card 32 MB RAM, Direct Draw Windows Vista, XP, 2000, DirectX 9.0 or later Internet Explorer 6.x or later For other operating systems and browsers see www.axis.com/techsup
Frame rate	AXIS 209FD: Up to 30 fps at all resolutions (Motion JPEG or MPEG-4) AXIS 209MFD: Up to 12 fps at 1280x1024 (Motion JPEG) Up to 8 fps at 1280x1024 (MPEG-4)	System integration support	Open API for software integration, including AXIS VAPIX* AXIS Media Control SDK*, event trigger data in video stream Quality of Service (QoS) Layer 3, DiffServ Model Embedded Linux operating system * Available at www.axis.com
Video streaming	Simultaneous Motion JPEG and MPEG-4 Controllable frame rate and bandwidth Constant and variable bit rate (MPEG-4)	Supported protocols	IPv4/v6, HTTP, HTTPS, SSL/TLS*, TCP, ICMP, QoS, SNMPv1/v2c/v3 (MIB-II), RTSP, RTP, UDP, IGMP, RTCP, SMTP, FTP, DHCP, UPnP, Bonjour, ARP, DNS, DynDNS, SOCKS, NTP More information on protocol usage available at www.axis.com * This product includes software developed by the Open SSL Project for use in the Open SSL Tool kit (www.openssl.org)
Image settings	Compression levels: 100 Rotation: 0°, 180° Configurable color level, brightness, sharpness, white balance, exposure control, backlight compensation Overlay capabilities: time, date, text, image or privacy mask	Accessories (included)	AXIS PoE Midspan 1-port, key for tamper-proof screws, Installation Guide, CD with installation tool, recording software and User's Manual, licenses for 1 encoder and 1 decoder, decoder software for Windows
Pan/tilt/zoom (AXIS 209MFD only)	Digital PTZ 20 preset positions, guard tour, sequence mode Supports Windows compatible joysticks	Video management software (not incl.)	AXIS Camera Station - video management software for viewing, recording and archiving up to 25 cameras See www.axis.com/partner/adp_partners.htm for more software applications via partners
Shutter time	AXIS 209FD: 1/4 s to 1/10000 s AXIS 209MFD: 1/4 s to 1/15000 s	Accessories (not incl.)	Multi-user decoder license pack
Security	Multiple user access levels with password protection IP address filtering, HTTPS encryption	Approvals	EN 55022 Class B, EN 61000-3-2, EN 61000-3-3, EN 55024 FCC Part 15, Subpart B, Class B, ICES-003 Class B, VCCI Class B, C-tick AS/NZS CISPR 22, MIC Class B, EN 60950-1
Users	20 simultaneous users Unlimited number of users using multicast (MPEG-4)	Dimensions (H x W x D) and weight	39 x 102 x 100 (1.5" x 4.0" x 3.9") 0.18 kg (0.40 lb)
Alarm and event management	Events triggered by video motion detection or according to a schedule Image upload over FTP, email and HTTP Notification over TCP, email and HTTP AXIS 209FD: Pre- and post alarm buffer of 9 MB (approx 5 min of 320x240 resolution video at 4 fps) AXIS 209MFD: Pre- and post alarm buffer of 20 MB (250 images or more, in full 1280x1024 resolution)		

30830/EN/R3/0801

www.axis.com